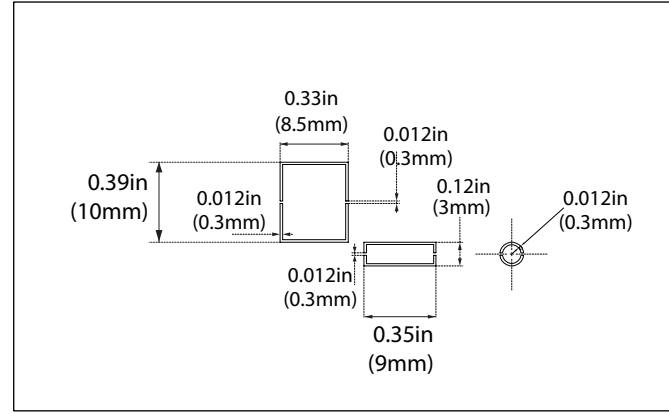
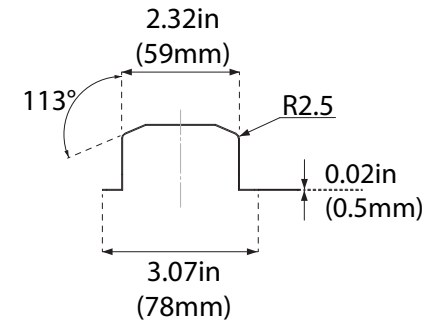
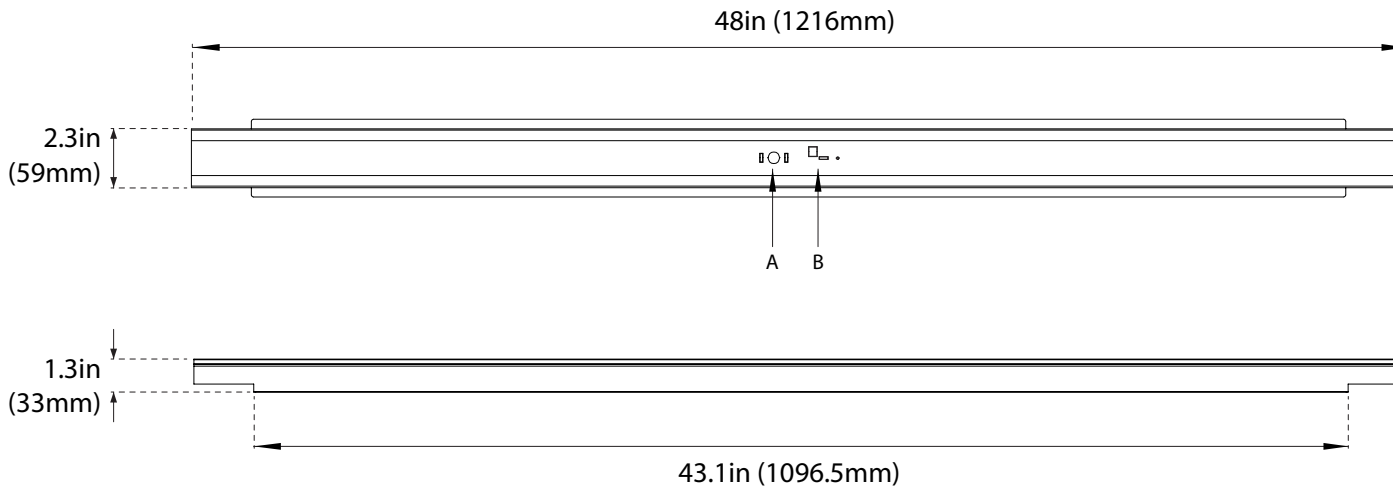


A

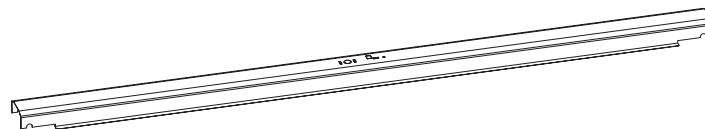


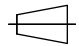

B



Wire Cover

Product Dimensions



 
SCALE : 1:1
Measure Tolerance is: ±0.15 mm, ±0.01in
Material: Carbon Steel